

Monorail Chain



X-348 TYPE FOR VERTICAL FLEXIBILITY

REDUCE WEAR AND DOWNTIME

- Meets ASME B29-22M dimensional standards (and original  specifications)

ELIMINATE DAMAGE

- Compatible with all drive and turn components

SAVES TIME

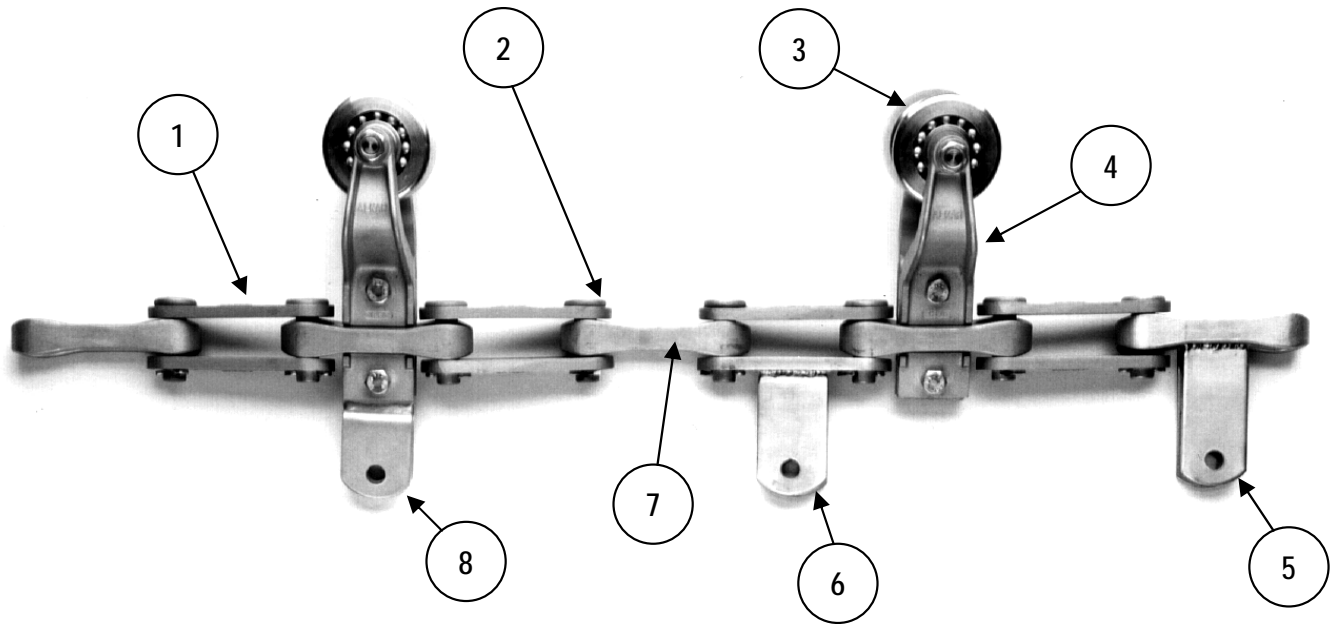
- Pre-assembled to your system's existing configuration

LONGER LIFE

- Cast and heat-treated 17-4 stainless-steel links for high strength and corrosion resistance
- 316 stainless-steel fasteners for corrosion resistance

ALKAR'S APPLIED PRODUCT TEAM can assist you in maximizing the efficiency and uptime of your installed equipment

Monorail Chain



Item	1	2	3	4	5	6	7	8
Description	Side Link	Rivet	Trolley Wheel	Bracket 3"	"H" Attachment Center Link	"H" Attachment Side Link	Center Link	"H" Attachment
ALKAR Part No.	95053	95054	95055	95051	95058	95057	95052	95056
KSI Part No.	3323.706	3323.708	3323.714	3323.701	3323.705	3323.710	3323.702	3323.703

CALL ALKAR PARTS DEPARTMENT:

Direct: 608-592-5284 or 608-592-5285

Main Number: 608-592-3211

www.alkar.com

On-Line Parts Catalog

ALKAR provides components for installed  systems, including:

- DRIVE AND IDLER SPROCKETS – stainless steel
- CATERPILLAR CHAIN – mild or stainless steel available
- BACK-UP BARS – stainless steel
- WHEEL TURNS – improved bearing hub design
- CORNER ROLLERS – stainless steel or plastic design
- I-BEAMS – straight and formed stainless steel
- STICKS, YOKES, and HANGERS – all sizes & quantities
- INSTALLATION ASSISTANCE
- PREVENTATIVE MAINTENANCE SERVICE
- PROCESSING AND MAINTENANCE TRAINING