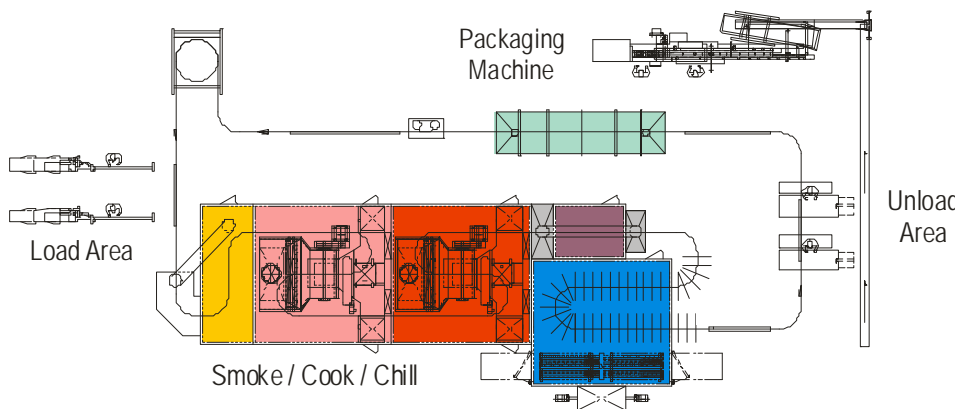


# ALKAR Monorail



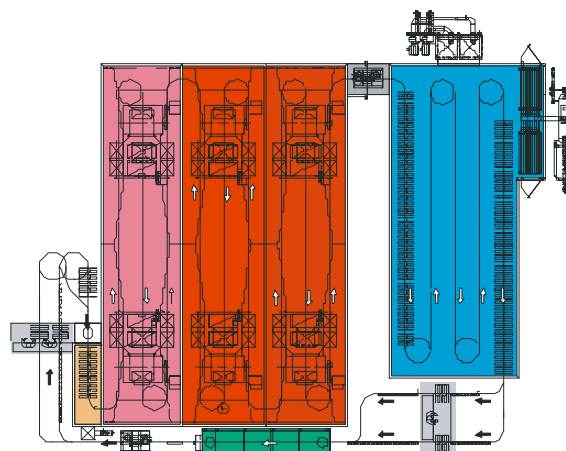
FLEXIBLE TO CONVEY UP / DOWN OR AROUND CORNERS



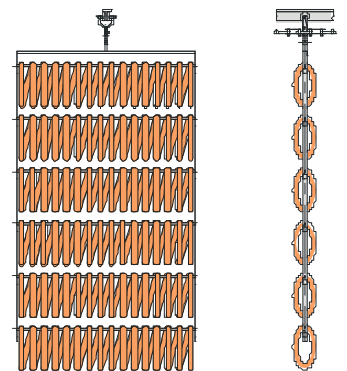
FLEXIBLE DESIGN



Molded Ham



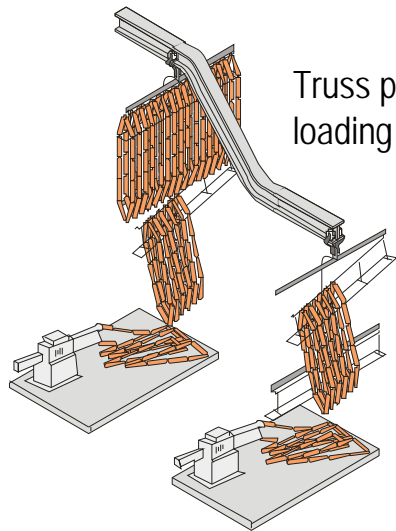
Bacon



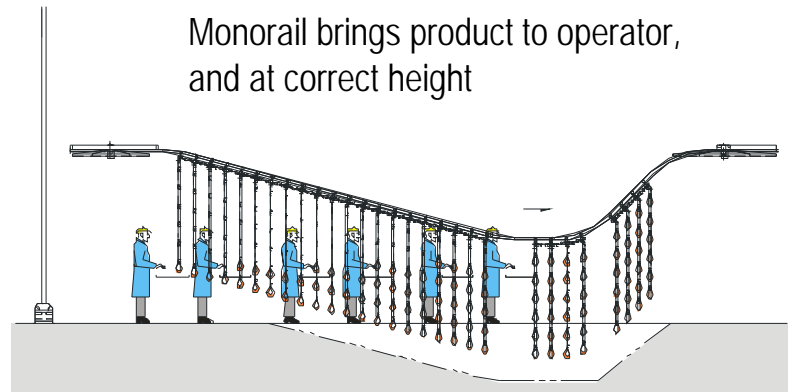
Smoked Sausage

# ALKAR Monorail

## IMPROVED ERGONOMICS

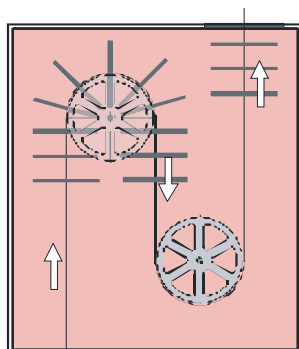


Truss pivot sticks allow easier loading and unloading

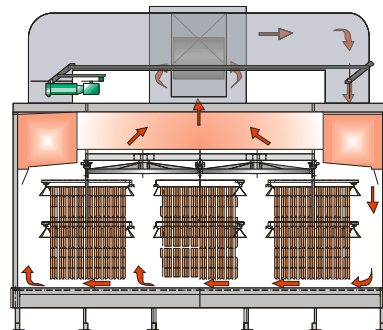


Monorail brings product to operator, and at correct height

## UNIFORMITY

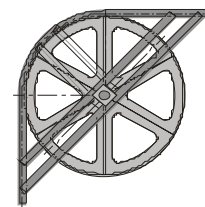


3 passes per zone



Custom-engineered airflow

## DURABLE DESIGN



Conveyor chain, wheel turns, drives, and pumps designed for reliability and long life

## VERSATILE

- Expand capacity; hang 12" center to 9" center
- Change carriers
- Run different products
- ALKAR provides full service, repairs, and replacement parts for existing KSI installed equipment
- ALKAR purchased KSI Thermal Processing Division in late 1995

