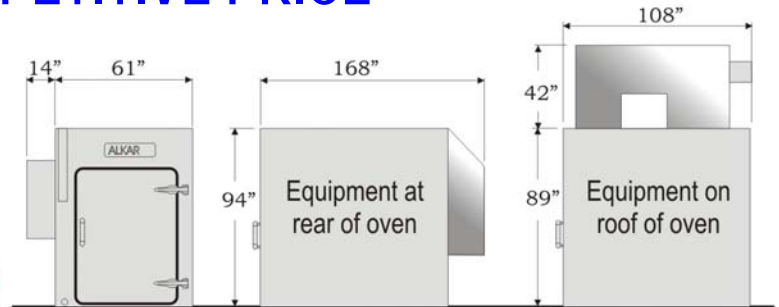


Model 2000 Oven

UNSURPASSED PERFORMANCE AND RELIABILITY
AT A COMPETITIVE PRICE



HIGH-QUALITY CONSTRUCTION

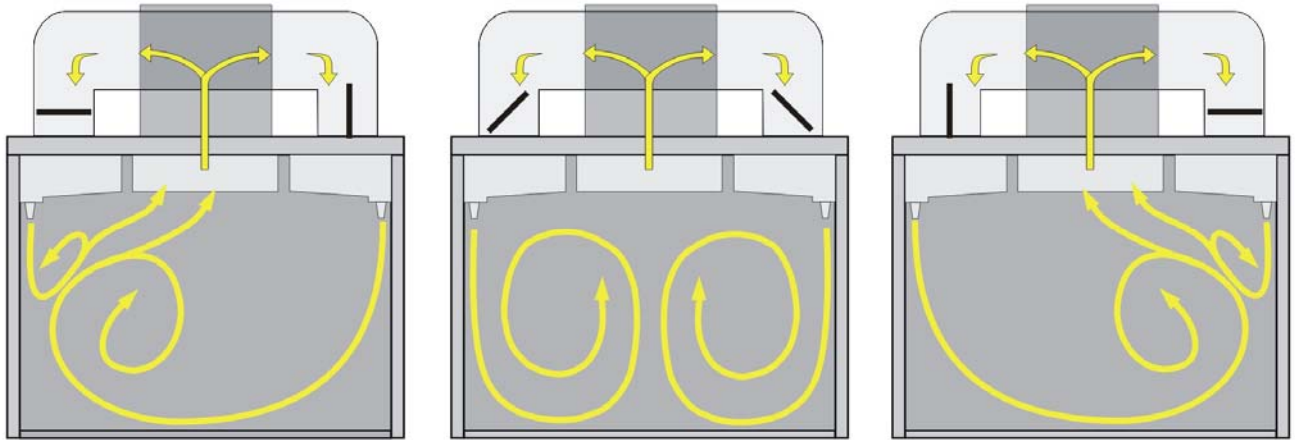
- Sanitary design; easy to keep clean
- Truly all-welded cabinet; all stainless-steel structure for along life
- Fully insulated cabinet for higher thermo properties
- No steam, smoke, or caustic leakage
- Pre-inspection and tested at ALKAR
- Fast installation minimizes plant interruption



NEW ALKAR OVEN CONTROLS
ETHERNET (AOce) CONTROL PANEL

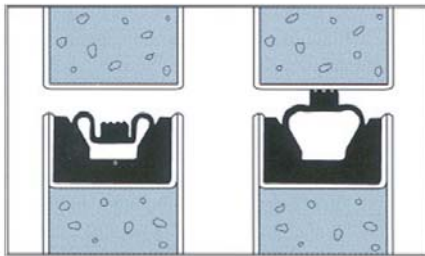


Model 2000 Oven



HIGH-PERFORMANCE AIR HANDLING SYSTEM

- Oscillating airflow ensures every area of oven receives turbulent air
- Eliminates hot/cold spots; provides uniform drying and smoking
- Single-blower design ensures complete mixing of air and even heat distribution
- Fully adjustable system; easy to balance and maintain
- Variable speed fan motor available



INFLATABLE DOOR GASKET

- Positive door seal, and easier to open and close
- Eliminates leakage of smoke

UNIFORM SMOKING

- Liquid smoke atomizer
- Hardwood chip smoke generator
- Pit BBQ log burner



FLUSH DOOR SILL

- Makes loading and unloading of product truck easier
- Eliminates the need for an unsanitary fold-up ramp

HEAT SOURCE OPTIONS

- Direct gas heated
- Electric
- Steam coil (requires boiler or steam generator)