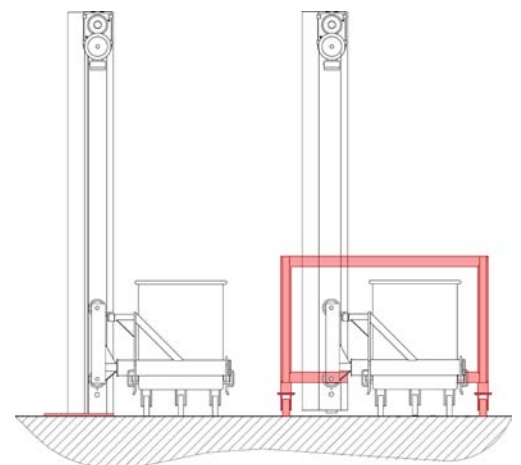


## COLUMN DUMPER

- Electrically driven.
- Handles 400 lb. (185 kg) and 600 lb. (275 kg) capacity kitchen carts and can be custom designed for a wide variety of lifting/dumping applications such as special-design carts and barrels.
- 2-hp (1.5 kW) motor drives double chain lift system.
- Heavy duty, double chain design with mechanical safety brake system.
- Washdown safe, heavy-duty stainless steel construction throughout.
- Optional portable base allows the entire unit to be moved easily.
- USDA accepted and CE approved. Built in conformity with AMI sanitary equipment design principles.



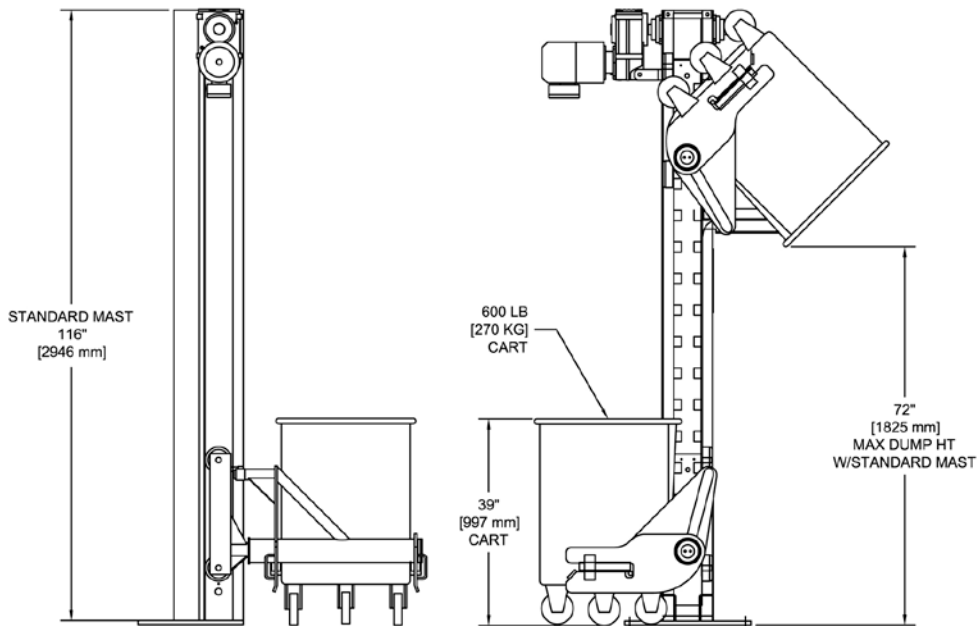
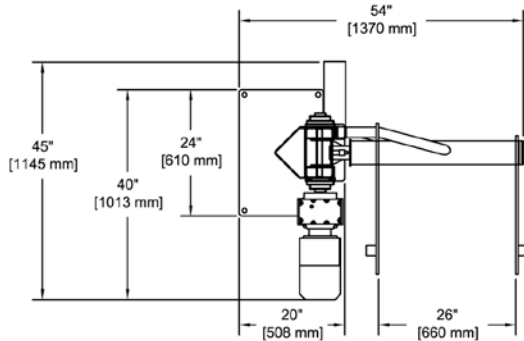
*Column dumpers can be floor-mounted or equipped with optional portable base.*

# COLUMN DUMPER

Cozzini knows that reliable material handling is a critical part of your overall process. When it comes to dumping product in tight spaces, Cozzini Column Dumpers (CCD) are custom-made to meet your demanding production requirements.

The CCD series is available in dumping heights up to 104" (2640 mm) and can accommodate 400 lbs. (185 kg) or 600 lbs (275 kg) carts.

Optional, custom chutes are available to prevent product spillage. Custom heights available upon request. For your material handling/bulk-dumping challenges, refer to a Cozzini expert.



COLUMN DUMPER		
<i>Voltage</i>	<i>hp</i>	<i>kW</i>
380 or 460 V	2	1.5

6/15 E