



## PALLET LIFT

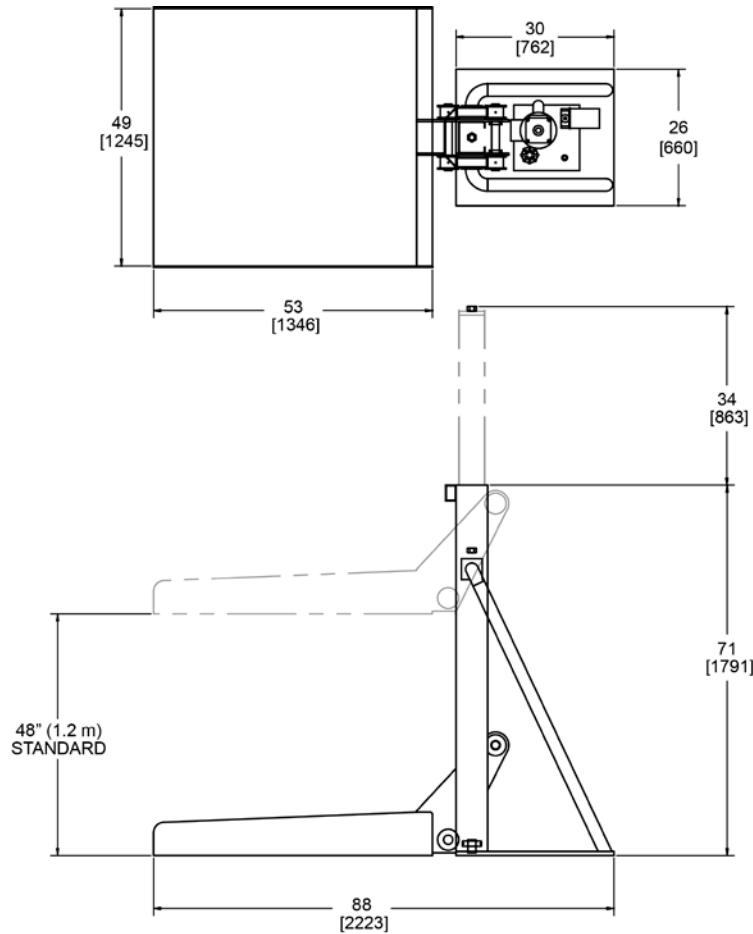
- Ground-level loading can lift pallets up to 2500 lbs. (1,134 kg).
- Raises loads to a height of 48" (1.22 m). Taller lift heights available on special request.
- Center-mounted, single cylinder design is powered by a self-contained hydraulic unit.
- Available in stationary design or portable option.
- Front load standard. Side load design by request.
- Washdown safe, heavy-duty stainless steel construction throughout.
- USDA accepted and CE approved. Built in conformity with AMI sanitary equipment design principles.

# PALLET LIFT

Cozzini knows that reliable material handling is a critical part of your overall process. The Cozzini Pallet Lift (CPL), built with heavy-duty stainless steel construction throughout, is designed for easy, thorough washdown and inspection.

A standard, front-loading pallet lift raises a load up to 48" (1.22 m), and is powered by a 2-3 hp (2.7-4 kW) independent hydraulic unit. With Cozzini's flexible design options, taller lift heights are available on request as well as side-loading models. Cozzini also offers a combination hydraulic cylinder/chain-lift system for plants with low ceiling heights. You can even upgrade to a larger hydraulic power unit for extra-heavy lifting applications.

For all your material handling needs, refer to a knowledgeable Cozzini expert.



PALLET LIFT		
<i>Voltage</i>	<i>hp</i>	<i>kW</i>
380 or 460 V	2	2.7
	3	4

11/12 E