

## GIRAFFE™ VERTICAL SCREW CONVEYOR

- Unique design assures gentle, non-smearing vertical movement of product.
- Available as direct feed hookup to PrimeGrind® grinders.
- Hopper feed unit can be fed directly from grinders or conveyors.
- Two swivel and two rigid casters allow easy maneuverability.
- Space-saving compact design. Ideal for limited space.
- Stainless steel body with fine sanitary finish throughout.
- USDA accepted and CE approved. Built in conformity with AMI sanitary equipment design principles.



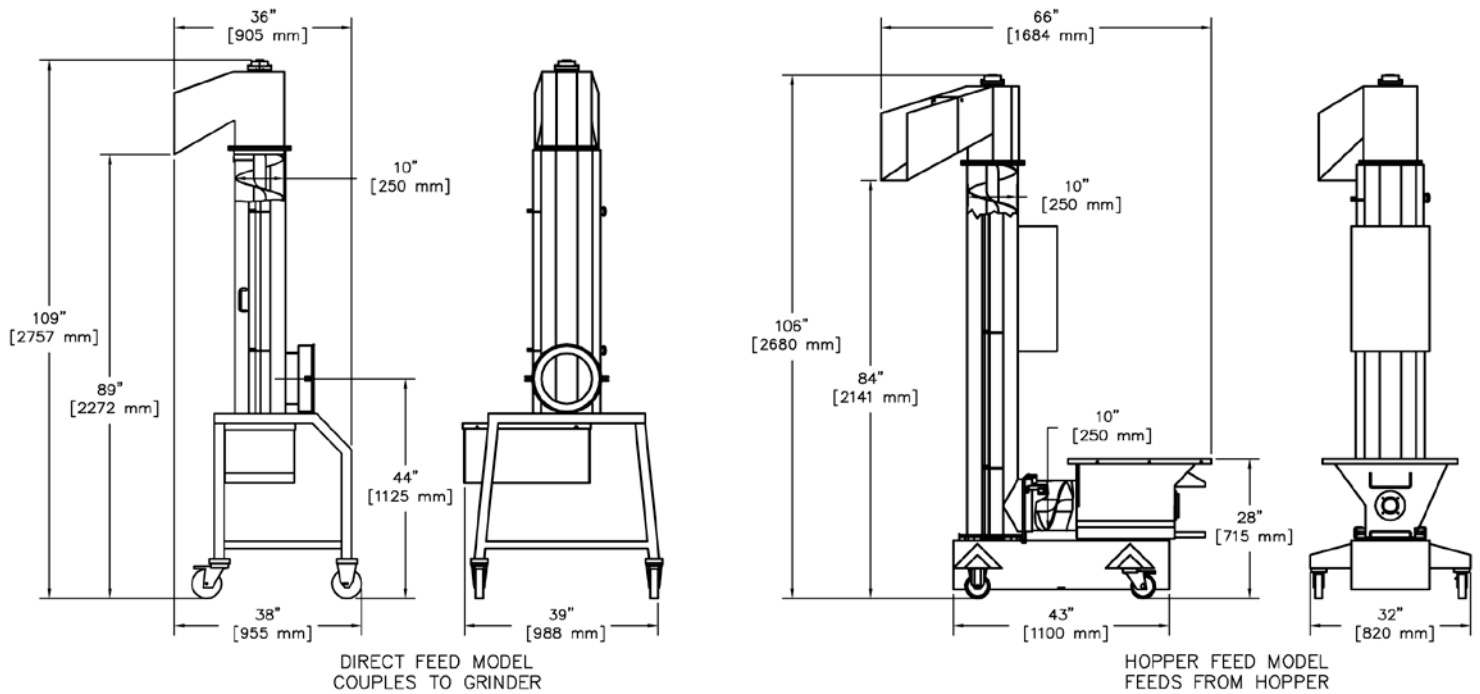
*Vertical feedscrew transfers product without smearing*

# GIRAFFE™ VERTICAL SCREW CONVEYOR

Cozzini Vertical Feed Screw Conveyors (CVSC) are designed especially for ground materials transport in applications where floor space is limited. They are available in two basic styles: direct feed or hopper feed.

A fully integrated hopper feed unit with horizontal screw feeds the vertical auger unit. Our direct feed model is designed for feeding directly from a grinder. A variety of discharge heights are available to custom fit your application.

Both models are built for easy, thorough washdown and inspection. The hinged vertical chambers of both models can be easily opened for complete washdown and inspection. The horizontal chamber on the hopper feed model is also fully accessible for thorough washdown sanitation.



GIRAFFE™ VERTICAL SCREW CONVEYOR		
MODEL	FEEDSCREW	DRIVE
Direct Feed	Coupled to PrimeGrind® 400 grinder: 14" (340 mm)	10 hp (7.5 kW)
Hopper Feed	10" (240 mm) for horizontal and vertical screws	Hor. Screw: 3 hp (2.5 kW) Vert. Screw: 4.5 hp (3.5 kW)