



IN-LINE GRINDER

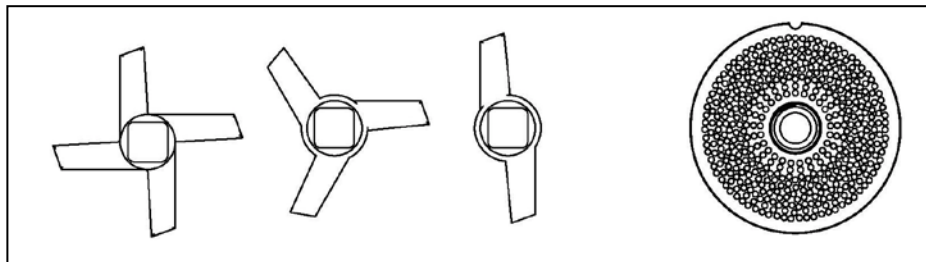
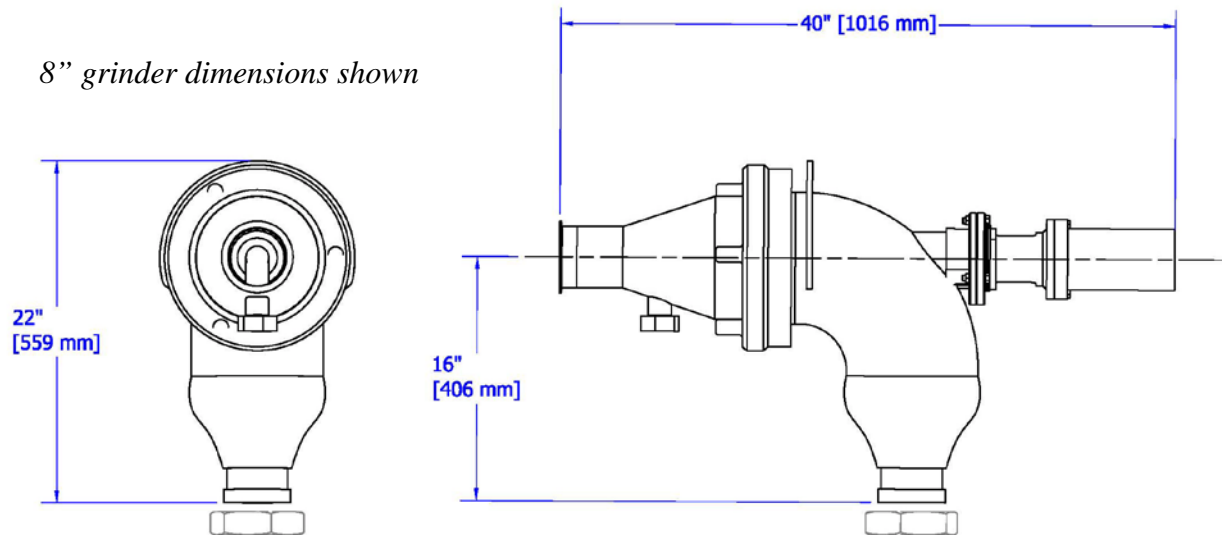
- Used in conjunction with Cozzini or other existing ancillary equipment.
- Hydraulic motor controls the grinder cutting speed independently from the pump output rate for a clean, well-defined cut.
- In-line bone collection eliminates bone and gristle
- Available with various 8" or 11" hole plate and knife combinations.
- Capable of up to 215 lbs/minute (97.5 kg/minute) output, depending on plate/knife combination and product type.
- Superb particle definition without smearing
- Durable stainless steel housing design
- USDA accepted and CE approved. Built in conformity with AML sanitary equipment design principles.



Versatile grinder for a clean, well-defined cut.

IN-LINE GRINDER

Cozzini's In-Line Grinder offers versatility for a multitude of processing applications that require particle size reduction. The In-Line Grinder consists of a grinder head mounted on its own base or attached to the pump discharge that feeds the grinder directly. The grinder turns by means of a hydraulically powered motor that operates independently of the product feed pump. This independent operation allows maximum control in the resulting grind for ideal product texture. Inside, a single hole plate paired with a knife in various combinations can grind and discharge the product through a pipe outlet in front. The In-Line Grinder also offers a bone collector feature to remove bone and gristle pieces by means of a manually operated valve and hose assembly.



Available with 2, 3 or 4-arm knives

IN-LINE GRINDER			
	Hydraulic Power Unit	Voltage	Grinder Output
8"	30 hp (22.5 kW)	380 V or 460 V	215 lbs/minute* (97.5 kg/min.)
11"	50 hp (37.5 kW)		
*Grinder output dependent on holeplate/knife combination and product			

05/15 E