



400 SERIES MULTICUT GRINDER

- For frozen products.
- Heavy-duty transmission is driven by your choice of a 150 hp (110 kW) or 175 hp (131 kW) motor.
- 400 mm (16") MultiCut plates may be used in single or double configuration: Precutter, cut knife, primary holeplate, cut knife, finish holeplate.
- Swing-away safety cover over grinding head and crane for removing feedscrew.
- Unique hopper barrel and auger design facilitates continuous product feed to grinder head.
- Available with bone/gristle elimination system.
- USDA accepted and CE approved. Built in conformity with AMI sanitary equipment design principles.



Feedscrew and frozen block guide

400 SERIES MULTICUT GRINDER

The PrimeGrind® 400 series grinder (CPG400) is a great choice for processing a wide variety of frozen materials. It can be equipped with a single or double plate/knife set in addition to the pre-cutter plate.

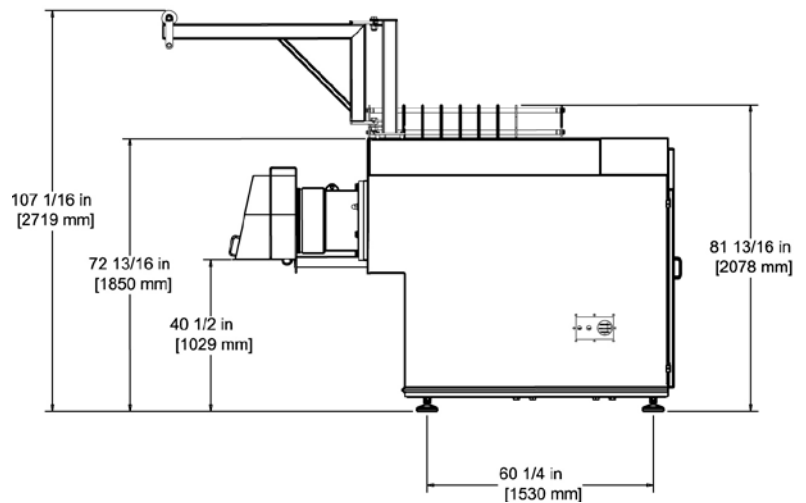
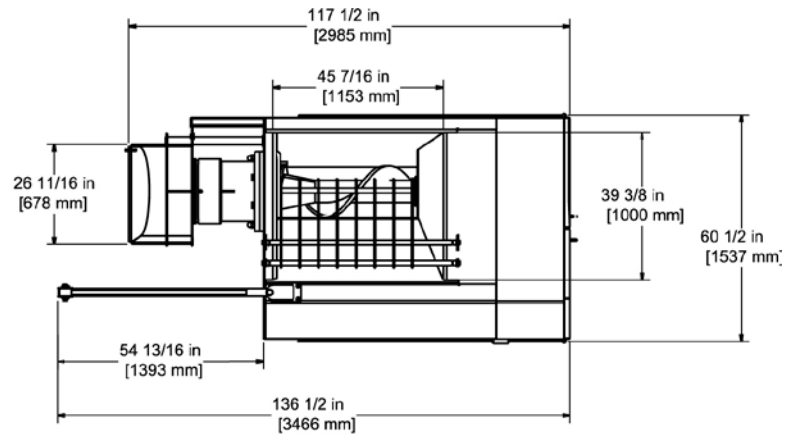
A robust, stainless steel feedscrew is driven by a backpressure absorbing main bearing. The main bearing greatly extends the useful life of the more costly transmission by buffering and equalizing backpressure loads.

A unique separation design between feedscrew and drive prevents lubrication contamination of the product.

The stainless steel hopper, throat and barrel all come with a fine, sanitary finish to ensure thorough sanitation.

Cozzini can make custom-fitted hopper extensions and safety guarding to meet your loading requirements.

PrimeGrind 400 integrates seamlessly into any production line – simple or complex – where grinding is required prior to further processing.



PRIMEGRIND 400		
<i>Voltage</i>	<i>hp</i>	<i>kW</i>
380 or 460 V	150	110
	175	131

10/18 E