



**PrimeMove**<sup>TM</sup>  
 COZZINI MATERIAL HANDLING SYSTEMS

## STUFFING HOPPER WITH STAINLESS PD PUMP

- Each hopper utilizes an independent hydraulically driven, stainless steel, positive displacement (PD) pump.
- Bypass valves are completely eliminated and steady line pressures of 70 to 80 psi (4.8 to 5.5 bars) are maintained for exact finished product weight.
- Custom designed hoppers to fit your production requirements and floor plan.
- Quick-release coupling device between hopper throat and PD pump and easily accessible pump rotors for thorough sanitation.
- USDA accepted and CE approved. Built in conformity with AMI sanitary equipment design principles.



*Pump rotor detail shown with cover plate removed.*



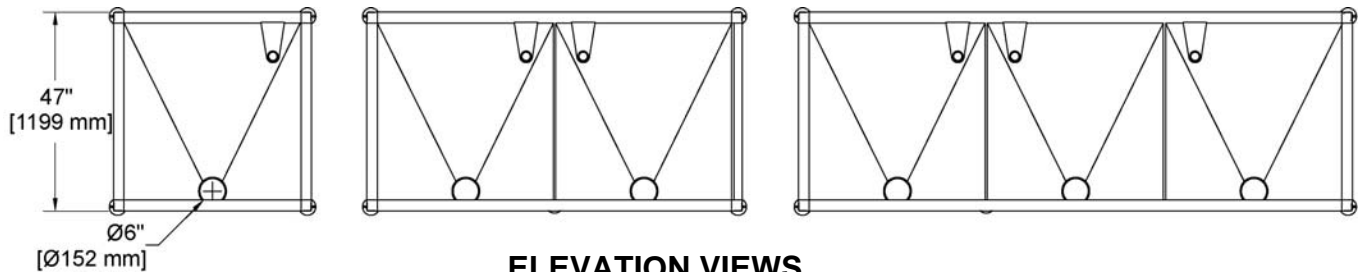
*Retractable work platform for easy inspection and maintenance.*

# STUFFING HOPPER WITH STAINLESS PD PUMP

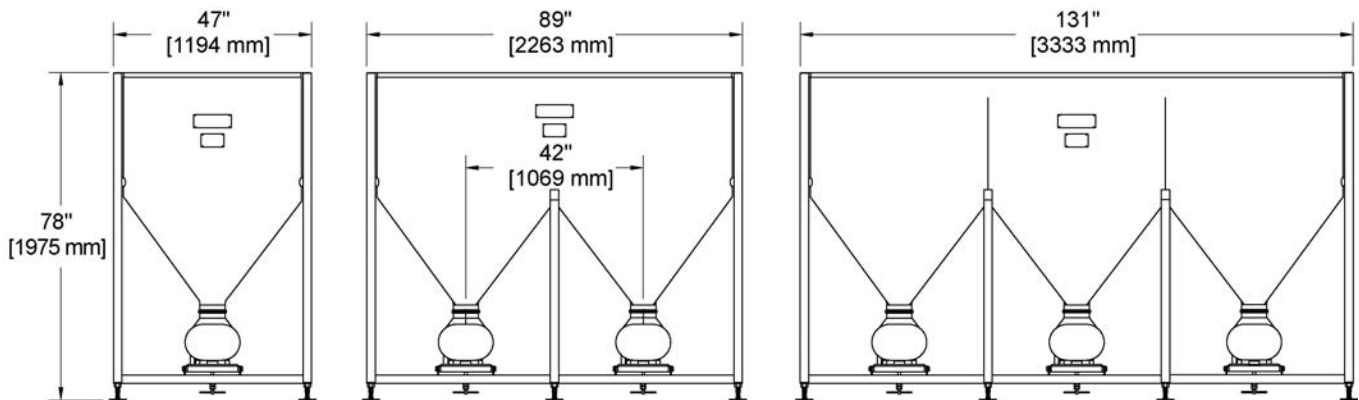
Cozzini Stuffing Hoppers (CSH) are designed to integrate seamlessly into today's high volume, continuous processing lines. Direct-discharge valving systems enable CSH units to automatically receive product from upstream units. This greatly reduces or in many cases, completely eliminates human labor associated with handling and transporting of product, thus eliminating product contamination.

The modular CSH system can be custom configured from one to multiple chamber units and can be equipped with numerous options to maximize the efficiency of your specific operation. Our CSH units are especially useful when incorporated into a complete Cozzini emulsion/reduction line.

## PLAN VIEWS



## ELEVATION VIEWS



### STUFFING HOPPER POWER REQUIREMENTS (PER CHAMBER)

<i>Voltage</i>	<i>hp</i>	<i>kW</i>	<i>Service Amps</i>
380 or 460 V	10	8	30

10/14 E