



# Industrial thawing systems

## Advantages

### Consistent thawing with high loading capacity:

The equipment is designed and constructed with special horizontal air circulation to provide a consistent temperature to all areas of the cabinet and product. The gradual heat transfer is distributed to the product with precise temperature and humidity control. The temperature differential between the surface and core temperatures are controlled and regulated via the specially developed Maurer-Atmos measuring device.

Product surface temperatures are controlled and excessive warming of the surface is avoided despite maximum trolley loading.

### Variable:

The cabinet can be supplied from Maurer-Atmos in stainless steel segments or the customer can supply the room from insulated panels, or masonry blocks or brickwork.

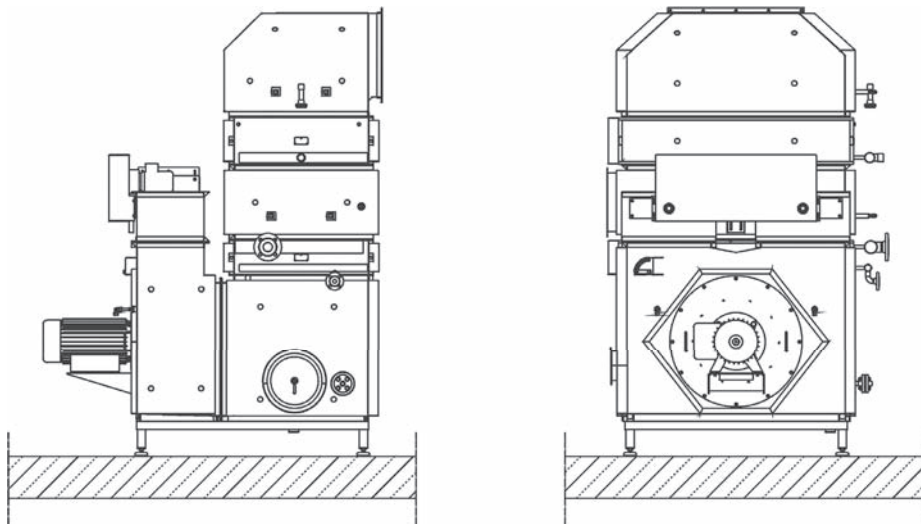
### Minimum energy consumption:

The system's energy supply is chosen so that the target values can be rapidly achieved. All thawing processes can be controlled and regulated via the operating temperature, the core temperature or the peripheral temperature.

### Environmentally friendly:

Minimum energy consumption: Individual air circulation systems and fresh air/exhaust air controls for each trolley place considerably reduce process times and thus energy requirements. Each trolley is processed at the same temperature and relative humidity.

## Industrial thawing systems



### Characteristics

#### Use:

Products on trolleys, pallets, racks or in baskets wrapped in plastic sheets are carefully thawed with a minimum temperature difference.

#### Possible processes:

- thawing, heating, defrosting, storage refrigerating

#### Vertical / Horizontal air circulation:

The air is conditioned by a central unit located on the top or at the rear of the cabinet and the air is circulated into the process chamber by lateral air blowing channels and nozzles. The air can be adjusted variably by a frequency converter.

#### Hygiene:

- Regarding the cabinet supplied by Maurer-Atmos neither dust or water can enter as the metal cabinet is hermetically sealed on the inside and the floor is welded water-tight on the interior. There are no cavities that could be sources of bacterial contamination.
- Automatic interior cleaning or sterilization (optional)

#### Bacteriologically safe:

Since the thawing process is psychometrically controlled and Delta-T processes are also available as an option, the system's operating temperature can accordingly be selected from a wide range.

Aggregate type ATA	up to max. cart places	Electric	Heating	Cooling system
		kW <sup>⊙</sup>	kW <sup>⊙</sup>	kW <sup>⊙</sup>
KR02	2	2,5	2,5–9	2–9
KR04	5	3,8	10–19	9–18
KR07	9	7,0	19–34	18–31
KR13	16	9,0	34–64	31–58
KR18	24	11,0	64–89	58–80
KR23	30	14,0	89–110	80–100
KR36	36	35,0	110–180	100–160

<sup>⊙</sup> approximate connected loads

Features	Description	Standard	Options	Further flyers
Operating controls	external operating controls	x		Control and documentation systems
	operating temperature controls	x		
Type of control	peripheral temperature controls	x		
	core temperature controls	x		
	Delta-T controls	x		
Standard heating (optional)	low pressure	x		
	high pressure	x		
Cleaning	interior cleaning/sterilization		x	
	RG-A2.5 or RG-A8		x	Cleaning systems
Thawing	wet heating	x		