

19" Former

THE 19" FORMER IS DESIGNED FOR INCREASED PRODUCTION AND FEATURES THE OPTIONAL, PATENTED MULTI-FLOW® SYSTEM

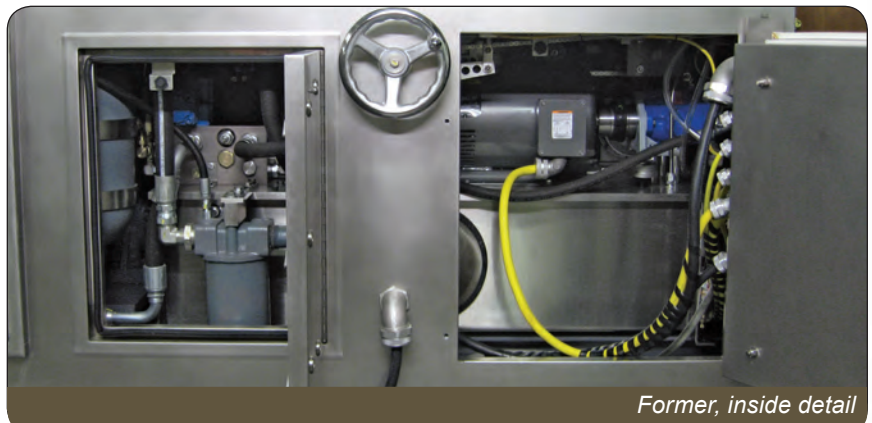
- Heavy-duty Winsmith, stainless steel feed screw drive housing, loss motion cylinder mold plate drive
- Stainless steel package includes:
 - SS column mounting plate
 - SS mold drive mounting plate
 - SS hydraulic tank
 - SS hydraulic hose tube support housings
- Improved feed screw housing support system
 - Metal detectable bushings
- Heavy-duty powder-coated frame
 - NEMA 4X style door package
- Allen-Bradley PLC Standard
 - Off the shelf components
 - Fill modes changed by customer
 - Recipe recall allows fast recovery of settings
 - Encoder adjustment made at touch screen saves time (2 min vs. 20 min)
 - Operator friendly touch screen graphics
- Options:
 - Patented Multi-Flow® system
 - Paper feed
 - Soft fill



19" Former with optional paper feed & patented Multi-Flow®



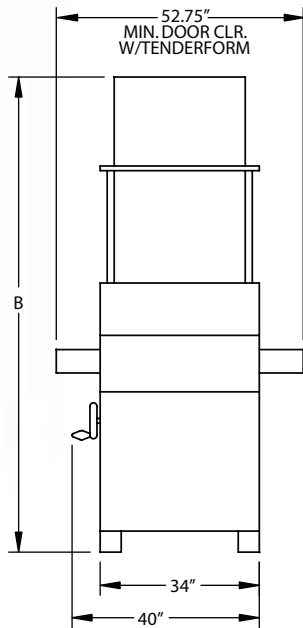
AB touchscreen detail



Former, inside detail

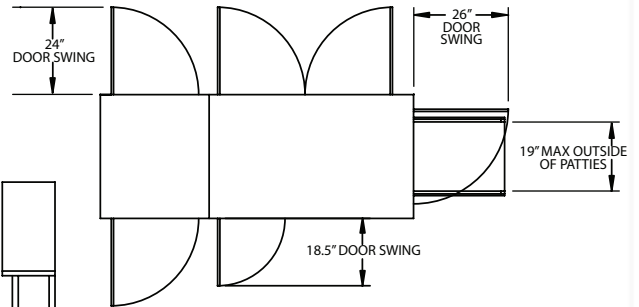
MP 19" Former

Technical Information

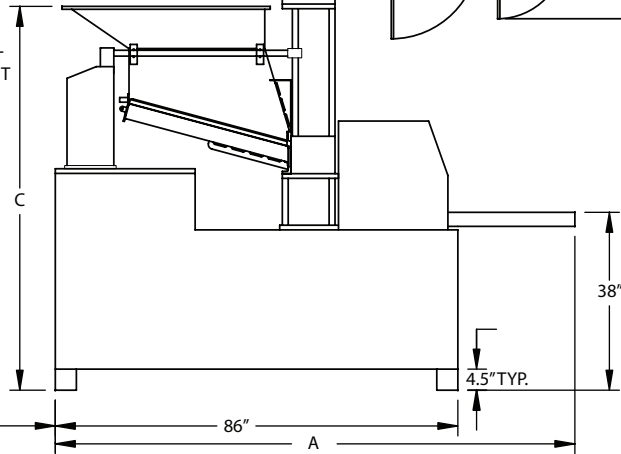


118" MIN. FOR BUCKET ENGAGEMENT

MACHINE SPECIFICATIONS			
Machine	A	B	C
19" Former	111"	101.5"	82"



66" MIN. FOR BUCKET ENGAGEMENT



UTILITIES

- Power/Voltage** 50 Hz/380, 420 or 575, 3 Phase/32 kVA Service
60 Hz/200, 230 or 460, 3 Phase/20 kVA Service
NEMA 4X Circuit Breaker
- Stroke Length** 9" and 12"
- Water** 1 GPM/4.5 Liters/minute Jacketed Oil Cooler
- Heavy Duty** Feed Screw Drive Housing-Stainless Steel
Winsmith-Double Enveloping Gear with cooling fan
Mold Plate Drive-Lost Motion Cylinder
- Sanitation** NEMA 4X Door Package
Stainless Steel Exterior throughout machine
Stainless Steel Hydraulic Reservoir
- Comments** 5,000 Pounds Per Hour
Touch Screen Interface
15-80 Strokes Per Minute
Gross Weight 6,500 Lbs

Specifications subject to change

- SERVICES OFFERED -

- 24/7 Service
- Spare Parts Department
- Application Support
- Technical Support
- Line Audits

- MP WARRANTY POLICY -

MP Equipment will repair or replace any MP manufactured component that fails due to defect in material or workmanship within 24 months from shipment.

All OEM parts covered by individual warranties.

MP EQUIPMENT COMPANY

Your Best Value for Processing Solutions

