

NEW!

MP EQUIPMENT
COMPANY
Your Best Value for Processing Solutions

MP 19" Servo Elite Former *patent pending*

THE MP 19" SERVO ELITE FORMER IS DESIGNED FOR INCREASED PRODUCTION AND REDUCED COST OF OWNERSHIP

- Options:
 - Patented Multi-Flow® system
 - Paper feed
 - Soft fill
- Features:
 - Metal detectable bushings
 - Allen-Bradley PLC

SERVO PLUNGER ACTUATOR

- Eliminates traditional hydraulic systems reducing downtime and lowers cost of ownership
- Self-diagnostics minimize troubleshooting
- Optimizes precision control of product flow and fill timing
- Higher torque vs. hydraulic system enables forming the most difficult products
- 431 hydraulic parts eliminated
- Tower assembly has lower profile
- Actuator is rebuildable

ENERGY EFFICIENT - GREENEST FORMER IN THE INDUSTRY

- Low amperage draw generates energy savings vs. other formers
- Less than 1 gallon of hydraulic oil required

STAINLESS STEEL PACKAGE STANDARD ON MACHINE (unavailable from competition)

- Stainless feed screw drive housing
- Column mounting plate
- Mold plate drive assembly plate

FRAME

- Upgrades and reinforced improvements ensures maximum durability.
- NEMA style door package prevents product and water intrusion into cabinet

MOLD PLATE DRIVE

- Heavy duty Winsmith Reducer with fan cooling
- Lost motion cylinder (Cam & fork design replaced)
- Quicker change over when repair is required (20 min vs. 3 hours)
- Connecting rod is rebuildable



Patent Pending

MP 19" Servo Elite Former with optional paper feed & patented Multi-Flow®



Former, inside detail

- Higher strokes per minute vs. Cam & Fork

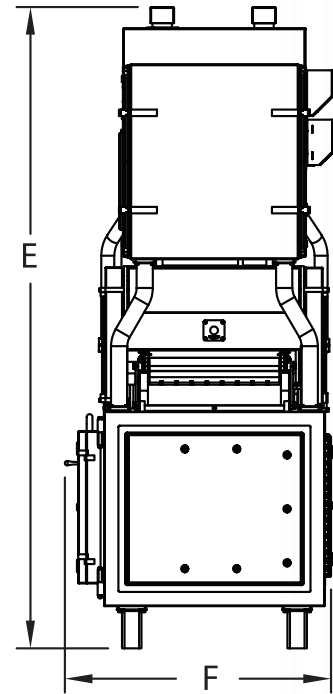
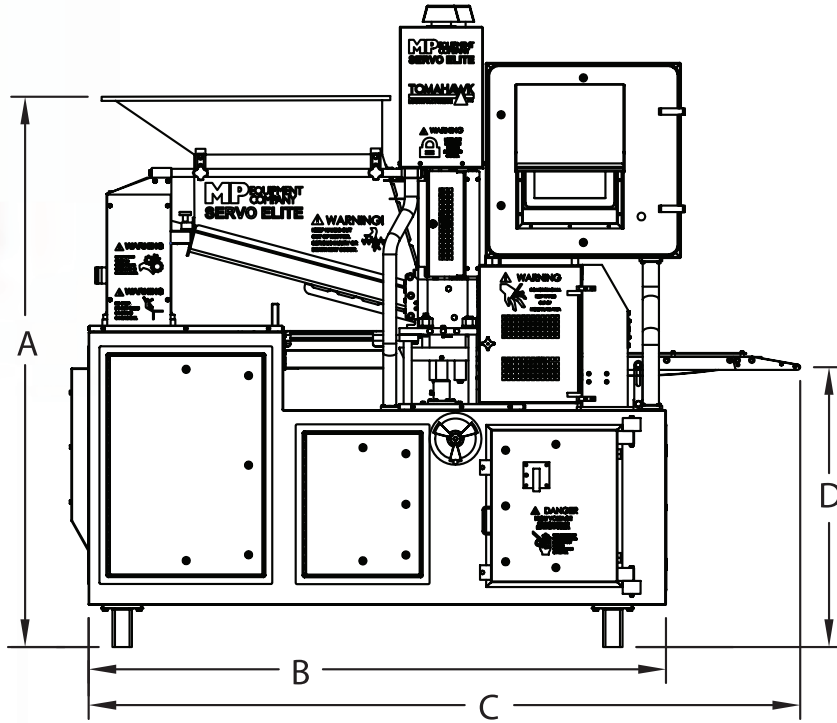
- Two piece rocker arms ease change of parts

MP 19" Servo Elite Former

Technical Information

MACHINE SPECIFICATIONS

Machine	A	B	C	D	E	F
MP 19" Servo Elite	85"	89"	109.7"	43"	98.86"	41"



UTILITIES

Power/Voltage	460-480 V, 3 Phase, 60 Hz, 50 AMP Service with PE (Permanent Earth) Ground NEMA 4X Circuit Breaker
Stroke Length	9" and 12"
Heavy Duty	Feed Screw Drive Housing-Stainless Steel Winsmith-Double Enveloping Gear with cooling fan Mold Plate Drive-Lost Motion Cylinder
Sanitation	NEMA 4X Door Package Stainless Steel Exterior throughout machine
Comments	5,000 Pounds Per Hour Touch Screen Interface 15-80 Strokes Per Minute Gross Weight 6,500 Lbs

Specifications subject to change

- SERVICES OFFERED -

- 24/7 Service
- Spare Parts Department
- Application Support
- Technical Support
- Line Audits

- MP WARRANTY POLICY -

MP Equipment will repair or replace any MP manufactured component that fails due to defect in material or workmanship within **24 months** from shipment.

All OEM parts covered by individual warranties.

MP EQUIPMENT COMPANY

Your Best Value for Processing Solutions

