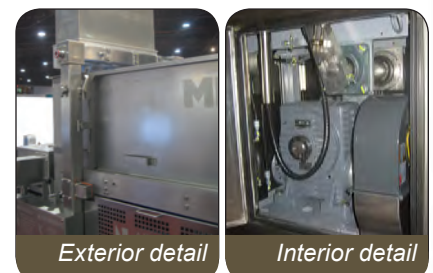
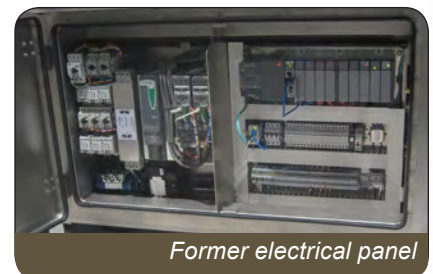


MP800 Extra Former

THE MP800 EXTRA STAINLESS STEEL FORMER FEATURES THE OPTIONAL PATENTED MULTI-FLOW® SYSTEM FOR THE HIGHEST PRODUCTION REQUIREMENTS

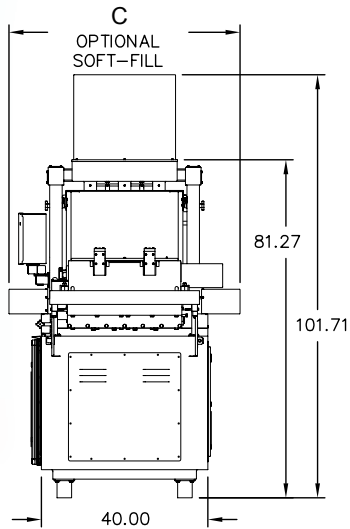
- Patented Multi-Flow®
- Capabilities
 - Up to 110 SPM
 - Production rates of up to 9000#/hr.
 - 9", 10" & 13" stroke lengths offered
- Heavy-duty parts include
 - Winsmith
 - Connecting rod
 - KO drive
 - Feed screw system
- Stainless steel package standard
- NEMA 4X style door package
- Stainless steel hydraulic reservoir standard
- **Servo Knock Out Drive Features**
 - Optimal machine performance with minimal maintenance
- **Servo Mold Plate Features**
 - Robust design reduces mechanical components, reduces maintenance and optimizes system control
- **PLC Program and Touchscreen Features**
 - Enhances processors quality assurance abilities of their products with adjustable settings and fill timing
 - Facilitates easy machine operation, maintenance and troubleshooting
 - Capable of remote monitoring and data acquisition
 - left hand controls
 - wireless communication system for remote monitoring, trending, reporting, etc.
 - customized to operator's specifications
 - product pressure adjustment on touchscreen
- **Product Feed Conveyor Features**
 - Lower maintenance cost with integrated drive roller
 - chains, sprockets and a separate motor are eliminated
- Control packages available
 - Allen Bradley



- Split hopper front available
- TXL Vitalloy bearings available
- Tomahawk/Certified MP Former parts for sales and rebuilds
- Rebuild/Loaner programs

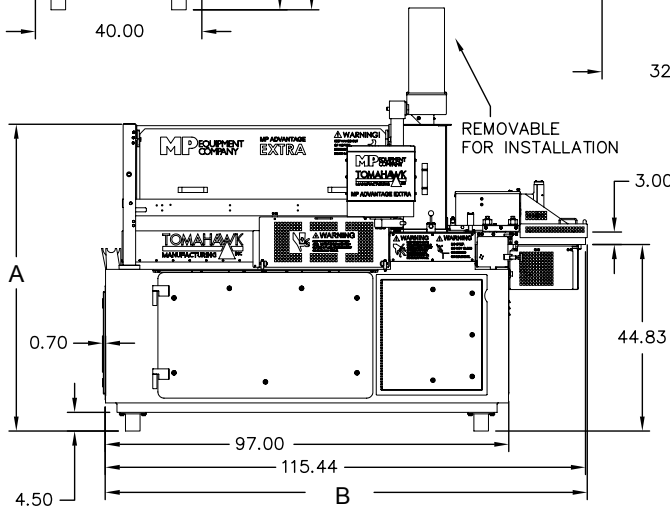
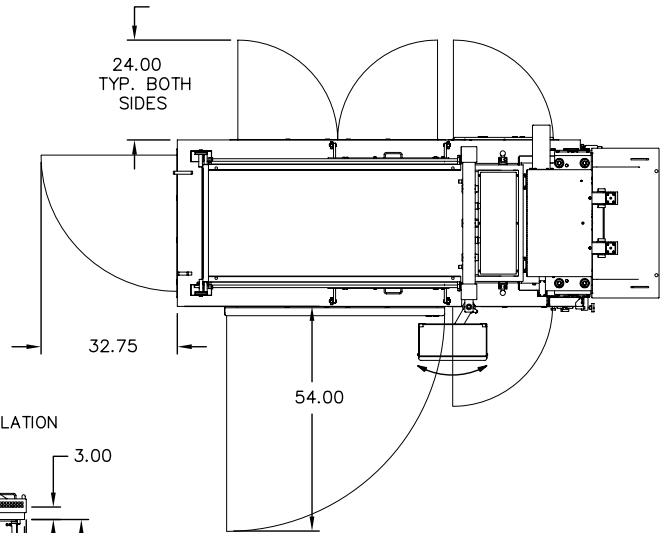
MP800 Extra Former

Technical Information



MACHINE SPECIFICATIONS

Machine	A	B	C
MP800 Extra Former	73.74"	115.86"	55.56"



UTILITIES (26" FORMER)

Power/Voltage	50 Hz/380, 420 or 575, 3 Phase/32 kVA Service 60 Hz/200, 230 or 460, 3 Phase/30 kVA Service NEMA 4X Circuit Breaker		
Stroke Length	9", 10" or 13"		
Water	1 GPM/4.5 Liters/minute	Jacketed Oil Cooler	
Heavy Duty	Feed Screw Housing	Feed Screws	Over Arm
Improved Sanitation Features	Servo KO Drive Stainless Steel Hydraulic Reservoir Double-Sealed Electrical Panel		
Comments	9000 Pounds Per Hour Touch Screen Interface Adjustable Speed 15-110 Strokes Per Minute Single Piece Aluminum Billet Feed Screw Housing Gross Weight: 7600 lbs/3447 kgs W/O Paper Feed 8100 lbs/3674 kgs		

Specifications subject to change

- SERVICES OFFERED -

- 24/7 Service
- Spare Parts Department
- Application Support
- Technical Support
- Line Audits

- MP WARRANTY POLICY -

MP Equipment will repair or replace any MP manufactured component that fails due to defect in material or workmanship within 24 months from shipment.

All OEM parts covered by individual warranties.

MP EQUIPMENT COMPANY

Your Best Value for Processing Solutions

