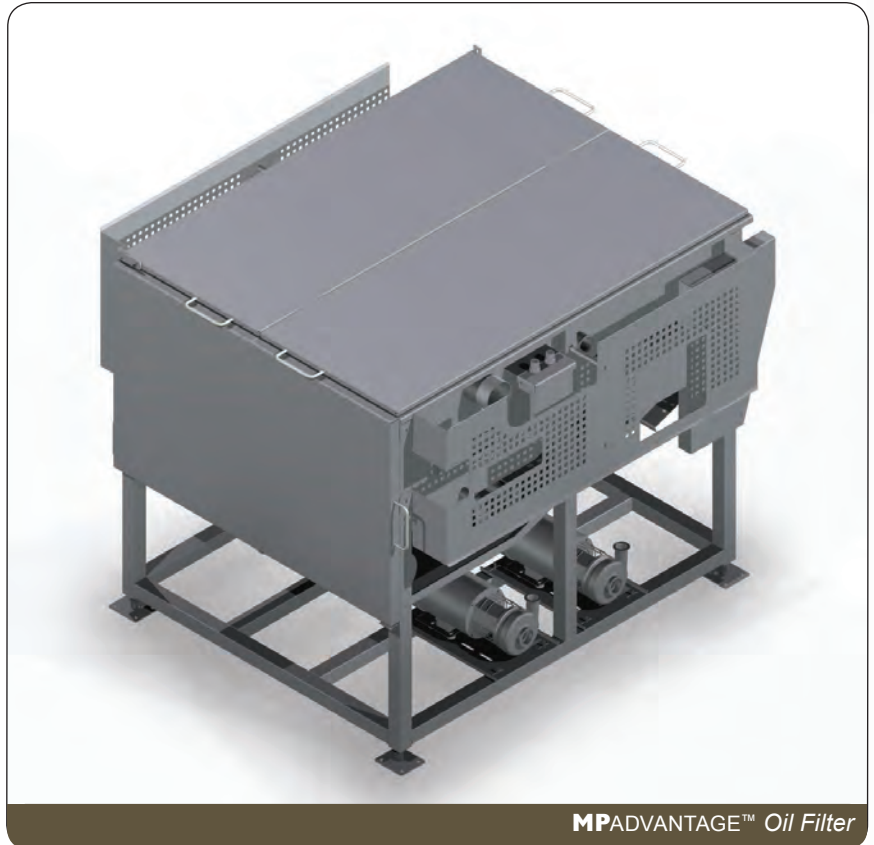


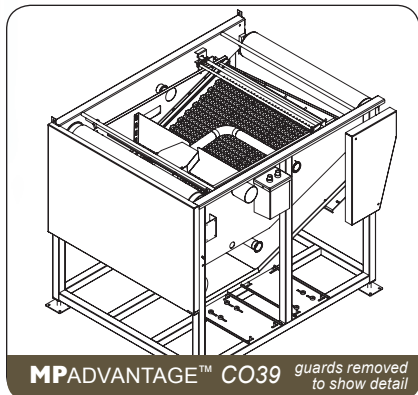
MPADVANTAGE™ CO27 and CO39 Oil Filters

OUR FILTERS ARE DESIGNED AND MANUFACTURED TO REMOVE FINE SEDIMENT FROM CONTINUOUS OIL FRYERS

- Custom designed oil management systems
- Designed in 27 and 39 sq. ft. oil filtration area
- Designed for 60 or 80 all stainless steel micron mesh belting
- Stainless steel centrifugal suction pump and motor
- Stainless steel centrifugal feed pump and motor
- High performance fine removal upgrade available
- Scraper designed for longer mesh screen life
- 2 year parts and labor warranty



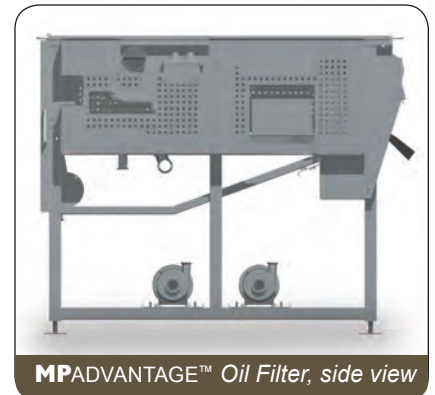
MPADVANTAGE™ Oil Filter



MPADVANTAGE™ CO39 *guards removed to show detail*



MPADVANTAGE™ Oil Filter, front view



MPADVANTAGE™ Oil Filter, side view

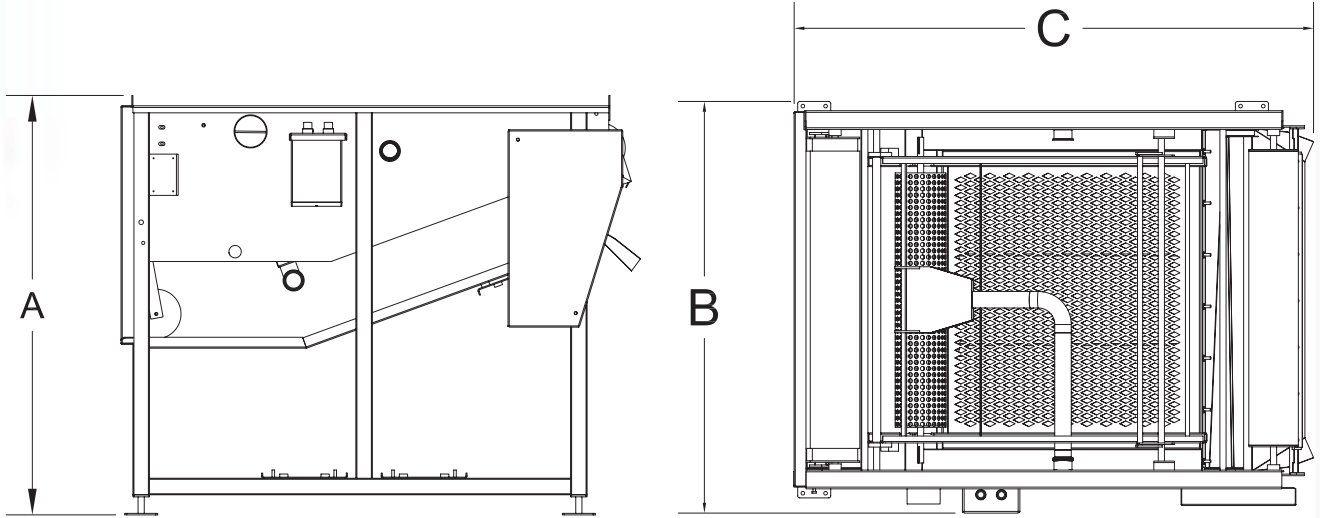
MPADVANTAGE™ Oil Filter

Technical Information

MACHINE DIMENSIONS

Model	A	B	C
CO39	50 1/2"	48"	63"
CO27	50 1/2"	36"	63"

Specifications subject to change



UTILITIES

Model	CO39	CO27
Belting Width	39"	27"
Filtration Belt	60 microns	60 microns
Electrical Requirements	230/480/3/60	230/480/3/60
Gross Weight	1500 lbs.	1500 lbs.

- SERVICES OFFERED -

- 24/7 Service
- Spare Parts Department
- Application Support
- Technical Support
- Line Audits

- MP WARRANTY POLICY -

MP Equipment will repair or replace any MP manufactured component that fails due to defect in material or workmanship within 24 months from shipment.

All OEM parts covered by individual warranties.

MP EQUIPMENT COMPANY

Your Best Value for Processing Solutions

