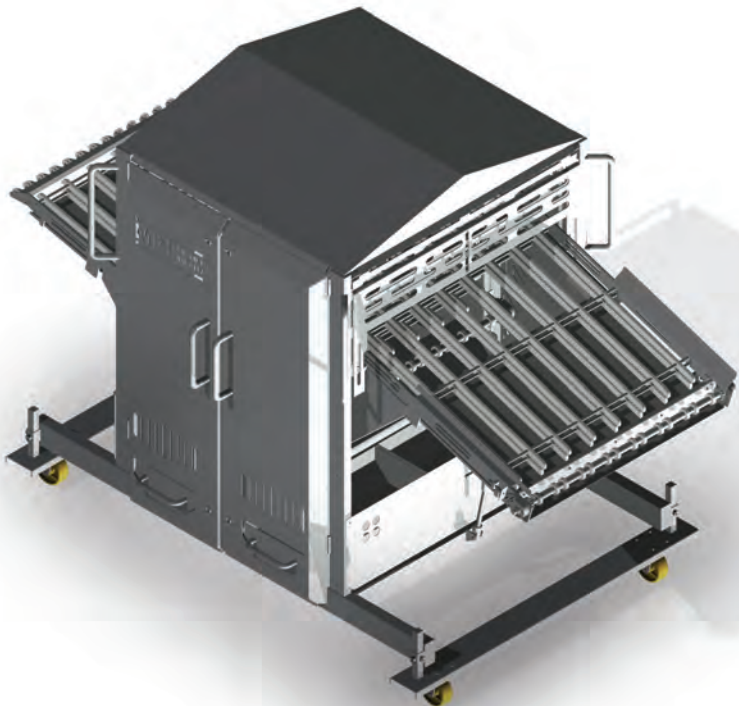


Product Aligner

OUR PRODUCT ALIGNER IMPROVES PRODUCT QUALITY, ENHANCES YIELD AND REDUCES LABOR

Our Product Aligner (patent pending) is manufactured exclusively for us by Blackrow engineering for poultry further processing. It's technology addresses the road blocks of product handling and the demand for high capacity homestyle tender and strip lines. Please contact MP Equipment for details on this proven technology.

- Straightens up to 70% of strips and tenders after the pre-dust drum breeder and final drum breeder
- Construction is all stainless steel frame with US standard fasteners, bearings, sprockets, belting and shafts with sanitary open frame design
- Improves product quality
- Enhances yield
- Reduces labor
- Ability to improve fryer oil quality

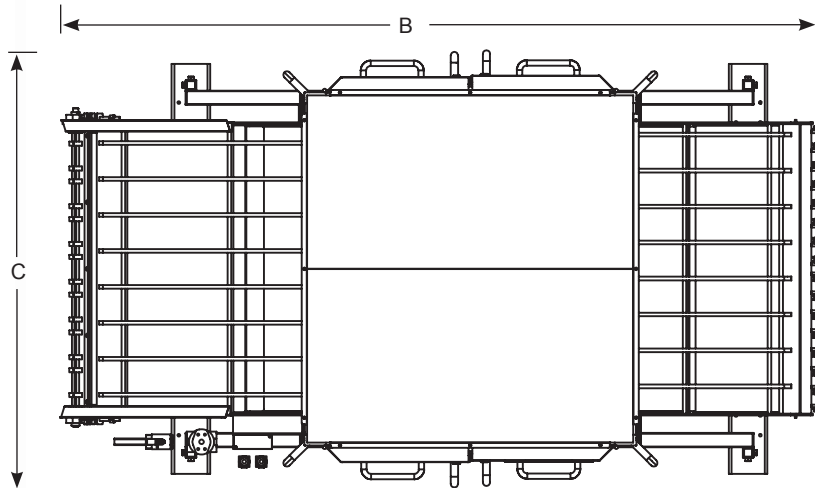
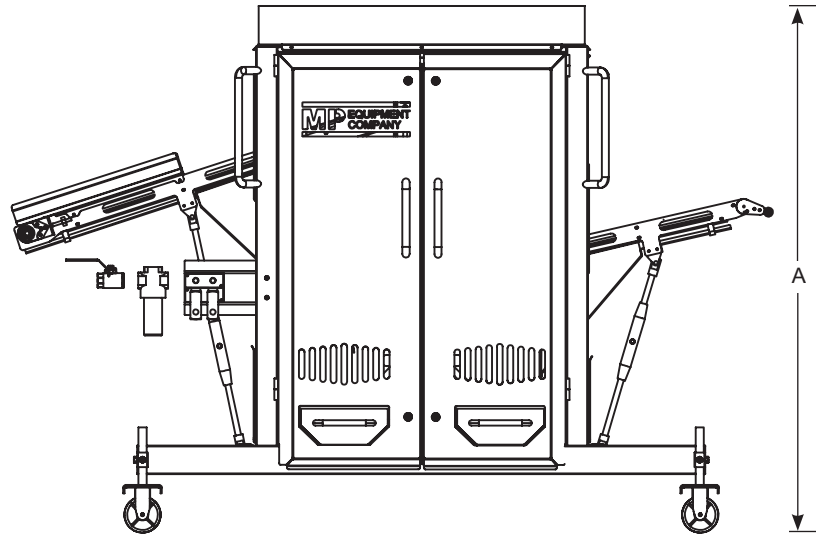


Product Aligner, Patent Pending

Product Aligner
Technical Information

MACHINE DIMENSIONS

Aligner	A	B	C
	73.25"	105.875"	58.25"



Specifications subject to change

UTILITIES

Hydraulics @ 60 FPM & 900 PSI

	Main	Discharge
GPM	3	3
RPM	108	108

- SERVICES OFFERED -

- 24/7 Service
- Spare Parts Department
- Application Support
- Technical Support
- Line Audits

- MP WARRANTY POLICY -

MP Equipment will repair or replace any MP manufactured component that fails due to defect in material or workmanship within 24 months from shipment.

All OEM parts covered by individual warranties.

MP EQUIPMENT COMPANY

Your Best Value for Processing Solutions

