

# MPADVANTAGE™ Servo Simple Former

**THE MPADVANTAGE™ SERVO SIMPLE FORMER, PATENT PENDING, IS THE ONLY FORMER IN THE INDUSTRY TO USE 100% SERVO TECHNOLOGY TO FORM FOOD PRODUCTS**

- **Frame Features**

- **LIFETIME WARRANTY**

- No welds
  - Stainless steel design ensures maximum durability while enhancing highest food safety and hygiene

- **Patented Multi-Flow® optional**

- **Capabilities**

- Up to 120 SPM
  - Production rates of up to 9000#/hr.
  - 9", 10" & 13" stroke lengths offered

- **Servo Simple Advantages**

- 50% less lubrication points
  - 40% less parts

- **Electrical Cabinet Features**

- Double sealed NEMA 4X style access doors prevent water and product intrusion into cabinet

- **Servo Plunger Actuator Features**

- Eliminates traditional hydraulic systems reducing down time and lowers cost of ownership. Self diagnostics minimize troubleshooting
  - Optimizes precision control of product flow and fill timing
  - Higher torque verse hydraulic system enables forming the most difficult products

- **Servo Knock Out Drive Features**

- Optimal machine performance with minimal maintenance

- **PLC Program/Touchscreen Features**

- Enhances processors quality assurance abilities of their products with adjustable settings and fill timing
  - Facilitates easy machine operation, maintenance and troubleshooting
  - Capable of remote monitoring and data acquisition

- **Product Feed Conveyor Features**

- Lower maintenance cost with integrated drive roller
  - Chains, sprockets and a separate motor are eliminated



MPADVANTAGE™ Servo Simple Former, patent pending



Heavy Duty Feed Screw Assembly



Frame with Lifetime Warranty



AB Touchscreen Controls



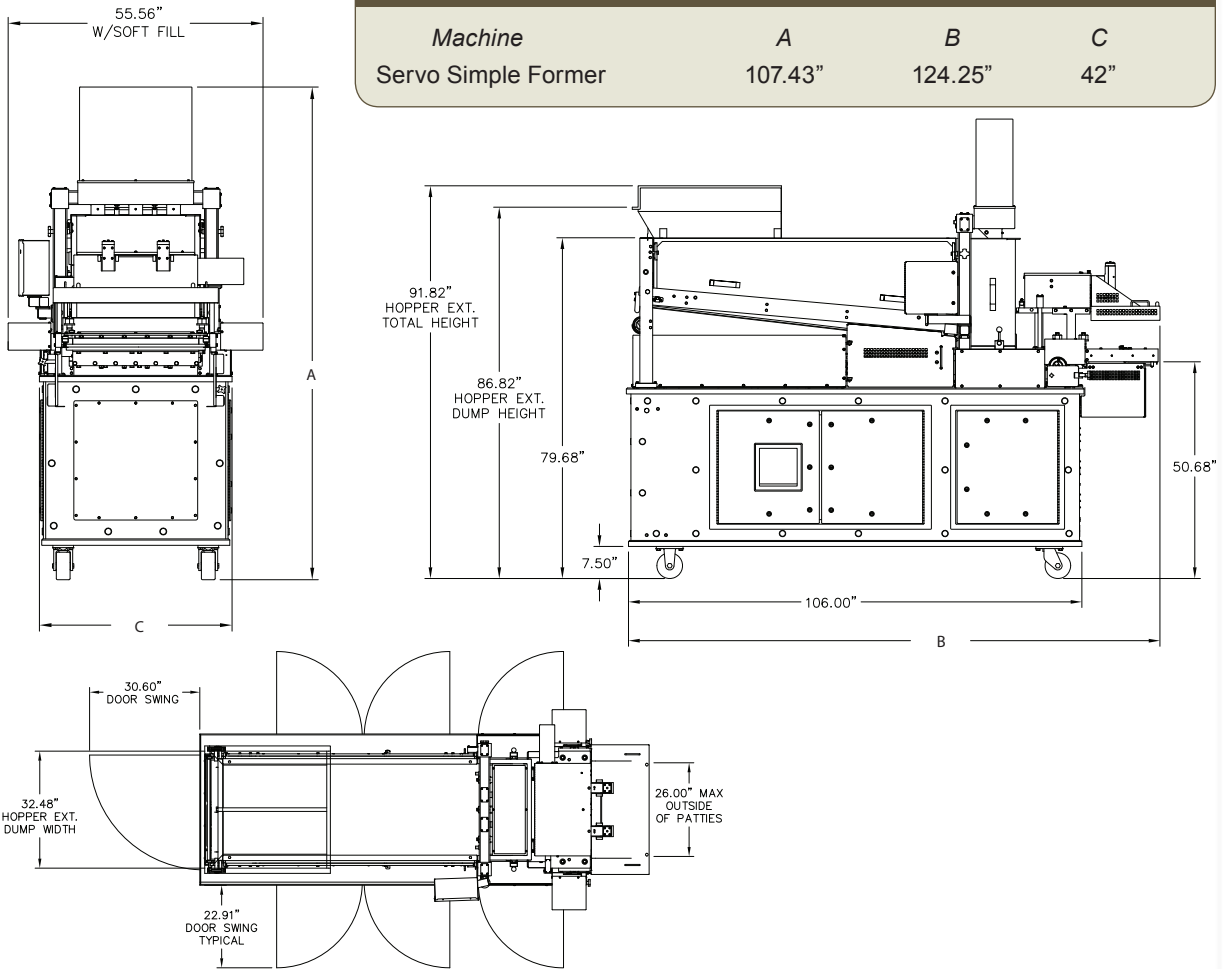
Trunnion Mounting System

# MPADVANTAGE™ Servo Simple Former

## Technical Information

### MACHINE SPECIFICATIONS

Machine	A	B	C
Servo Simple Former	107.43"	124.25"	42"



### UTILITIES

<b>Power/Voltage</b>	460-480 V, 3 Phase, 60Hz, 50 AMP Service with PE (Permanent Earth) Ground NEMA 4XCircuit Breaker		
<b>Stroke Length</b>	9", 10" or 13"		
<b>Water</b>	1 GPM/4.5 Liters/minute	Jacketed Oil Cooler	
<b>Heavy Duty</b>	Feed Screw Housing	Feed Screws	Over Arm
<b>Comments</b>	9000 Pounds Per Hour Touch Screen Interface Adjustable Speed 15-120 Strokes Per Minute Single Piece Aluminum Billet Feed Screw Housing Gross Weight: 11,500 lbs / 5216 kgs W/O Paper Feed 12,000 lbs / 5443 kgs		

Specifications subject to change

### - SERVICES OFFERED -

- 24/7 Service
- Spare Parts Department
- Application Support
- Technical Support
- Line Audits

### - MP WARRANTY POLICY -

MP Equipment will repair or replace any MP manufactured component that fails due to defect in material or workmanship within 24 months from shipment.

All OEM parts covered by individual warranties.

**MP** EQUIPMENT COMPANY

Your Best Value for Processing Solutions

