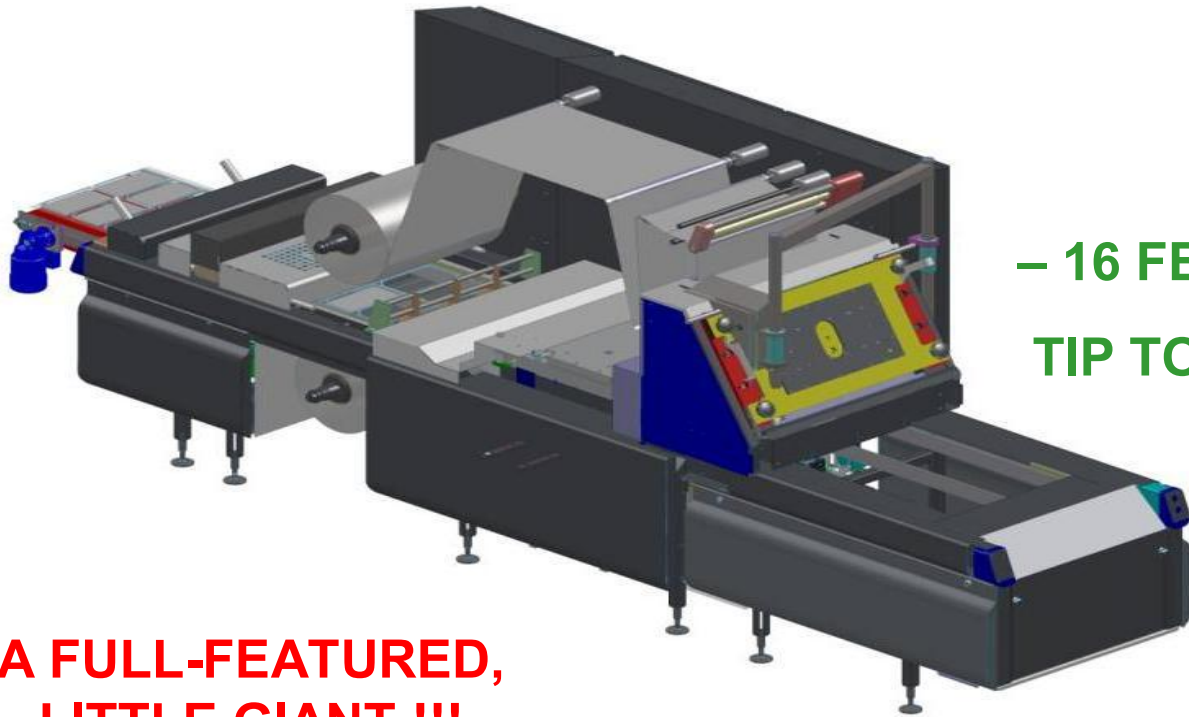


RP-4000B,C,D

A Revolution in Bacon Packaging

GUARANTEED To Cut Your 618 Leaker Rate In Half (50% Reduction – Guaranteed), Possibly to as Little as 0.5% !!!



**A FULL-FEATURED,
LITTLE GIANT !!!**

- Unlike conventional bacon packaging machines, L-board bacon drafts are fed directly into the RP-4000 ***without being turned 180 degrees***. Manual, hand-turning of bacon drafts is virtually eliminated forever.

This feature alone is GIGANTIC!

Top line is now a reality whether robotic or manual loading. ò just another example of RapidPak's ongoing, simultaneous focus on high through-put *and* ergonomics.

Absence of a lower web forming die/preheat station before the upper rollstock loading area makes in-line auto-loading of shingled drafts straightforward and simple.

Formed, multi-pocket lower web impressions hold L-board/drafts securely in position for indexing into sealing die.

And most importantly, the inverted location of the forming die keeps the overall machine footprint close to that of existing conventional bacon packaging machines.

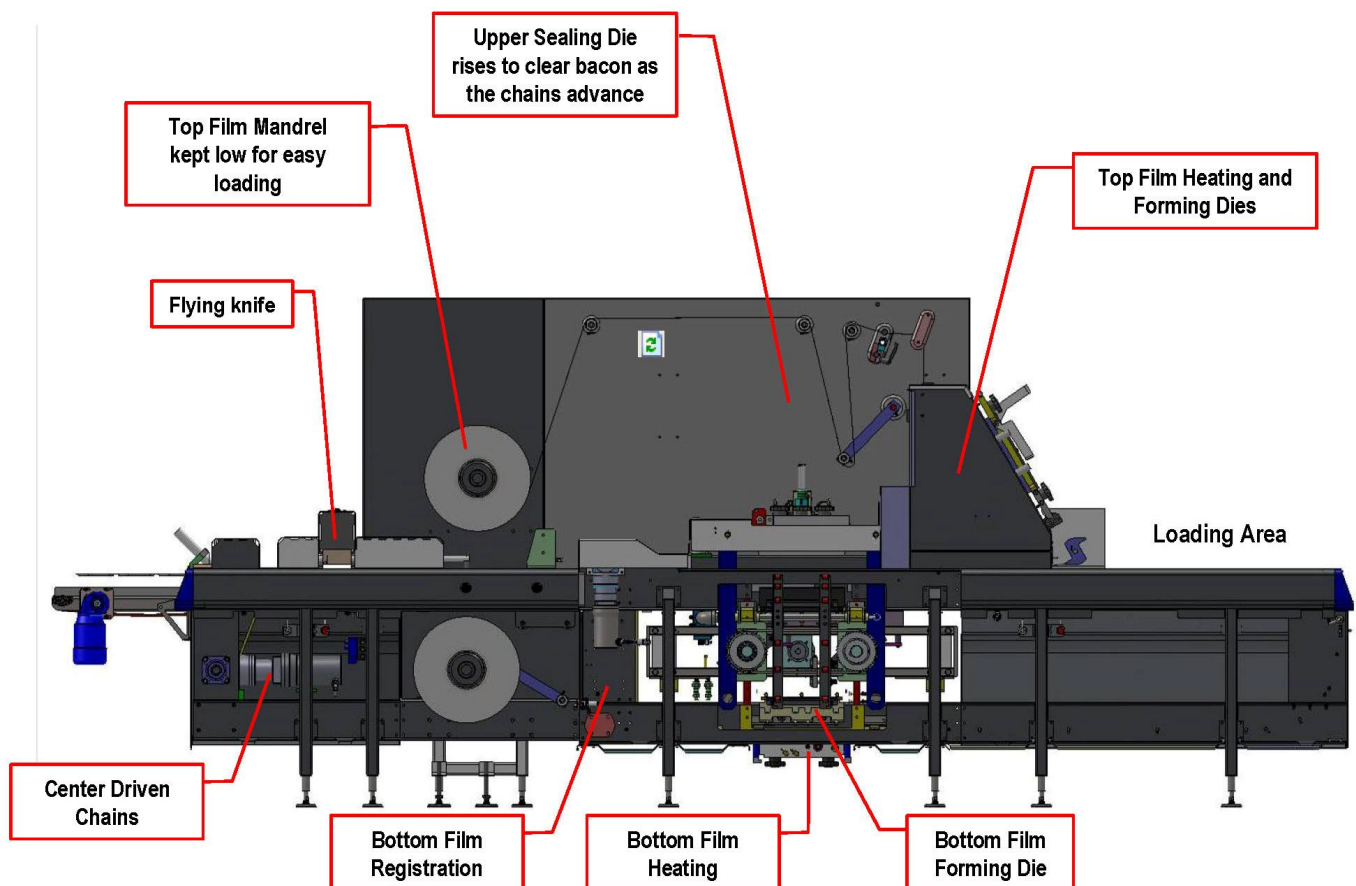
RP-4000B,C,D

Top film heating/forming station with independent gripper chains form top web for precision vacuum contouring onto shingled bacon profiles.

GO GREEN: Printed top and bottom webs can be utilized, completely eliminating tux cartons and L-boards.

Top sealing die rises to allow packaged bacon draft to index under it. Bottom sealing die is counter-balanced to top sealing die, and both are counter-balanced to the inverted bottom forming die. This tri-balanced die closing system requires very little torque from the servo motor. Resulting electrical usage is significantly reduced.

The RapidPak[®] footprint (16⁺ long) generally fits nicely into the footprint of existing bacon packaging machines in existing retail bacon slicing/packaging lines.



This changes bacon packaging forever!